

This Page Is Inserted by IFW Operations  
and is not a part of the Official Record

## **BEST AVAILABLE IMAGES**

Defective images within this document are accurate representations of the original documents submitted by the applicant.

Defects in the images may include (but are not limited to):

- BLACK BORDERS
- TEXT CUT OFF AT TOP, BOTTOM OR SIDES
- FADED TEXT
- ILLEGIBLE TEXT
- SKEWED/SLANTED IMAGES
- COLORED PHOTOS
- BLACK OR VERY BLACK AND WHITE DARK PHOTOS
- GRAY SCALE DOCUMENTS

**IMAGES ARE BEST AVAILABLE COPY.**

**As rescanning documents *will not* correct images,  
please do not report the images to the  
Image Problem Mailbox.**

FIG. 1

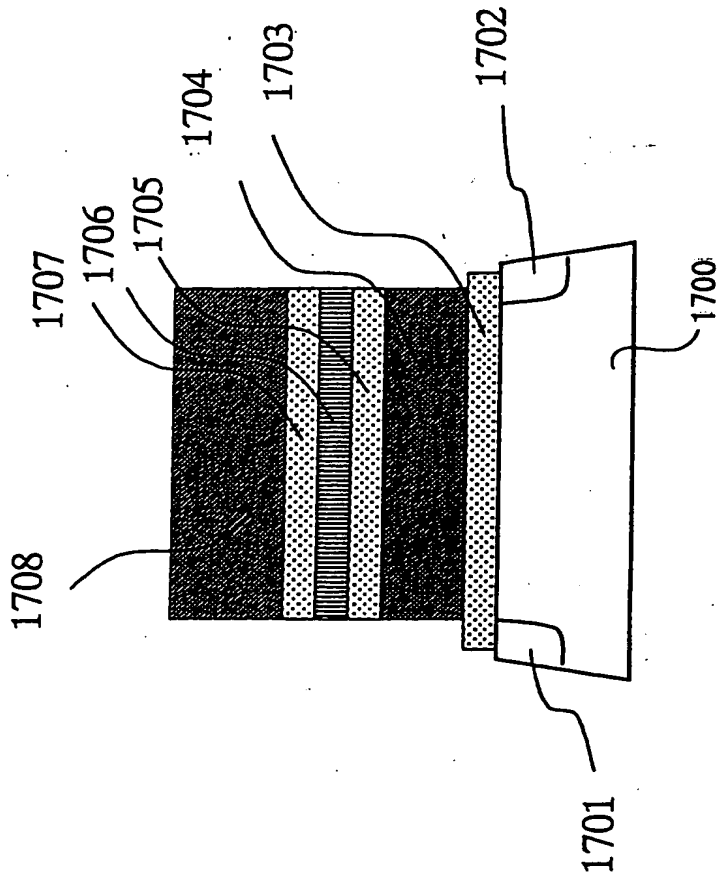


FIG. 2

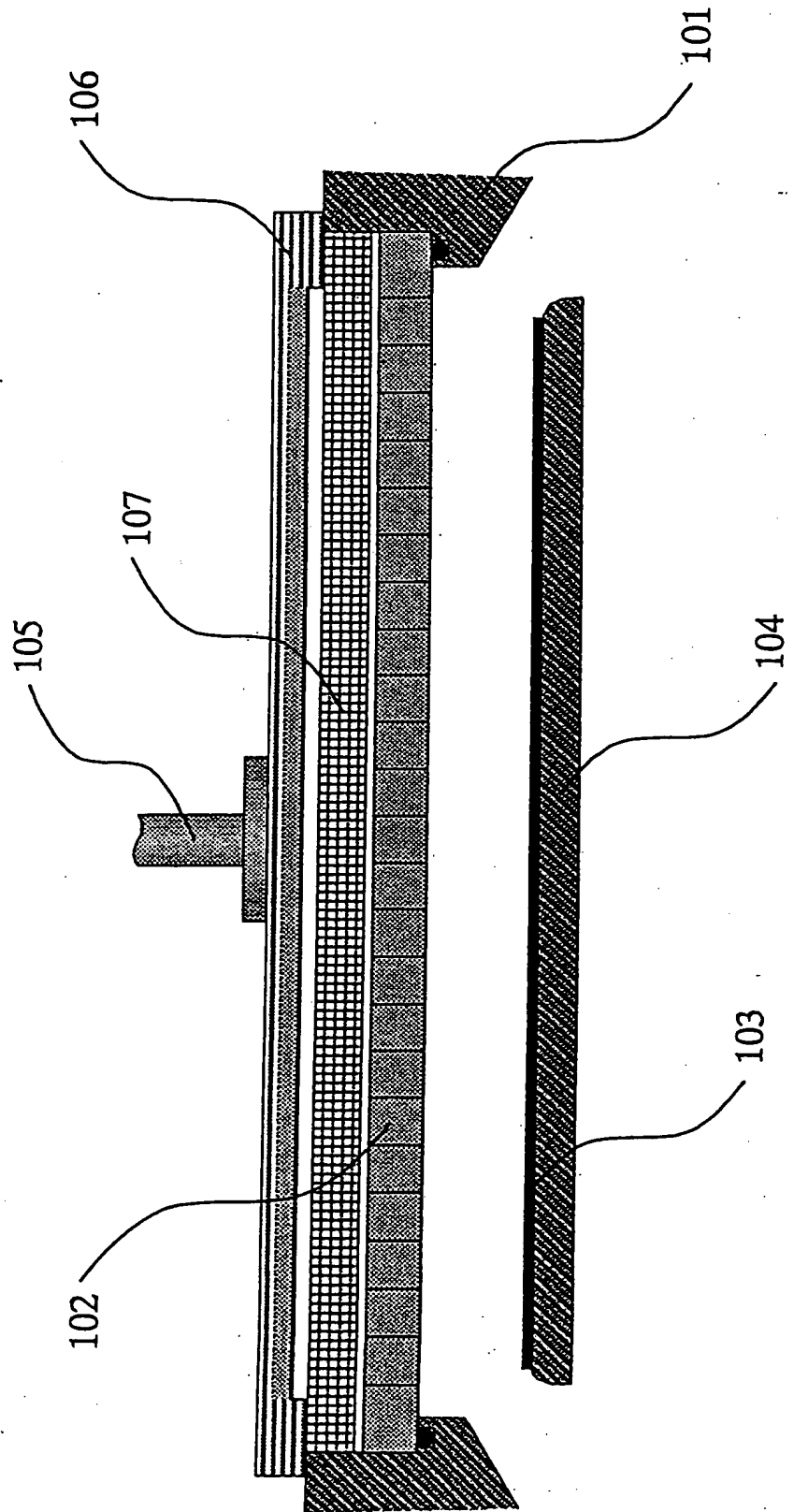


FIG. 3

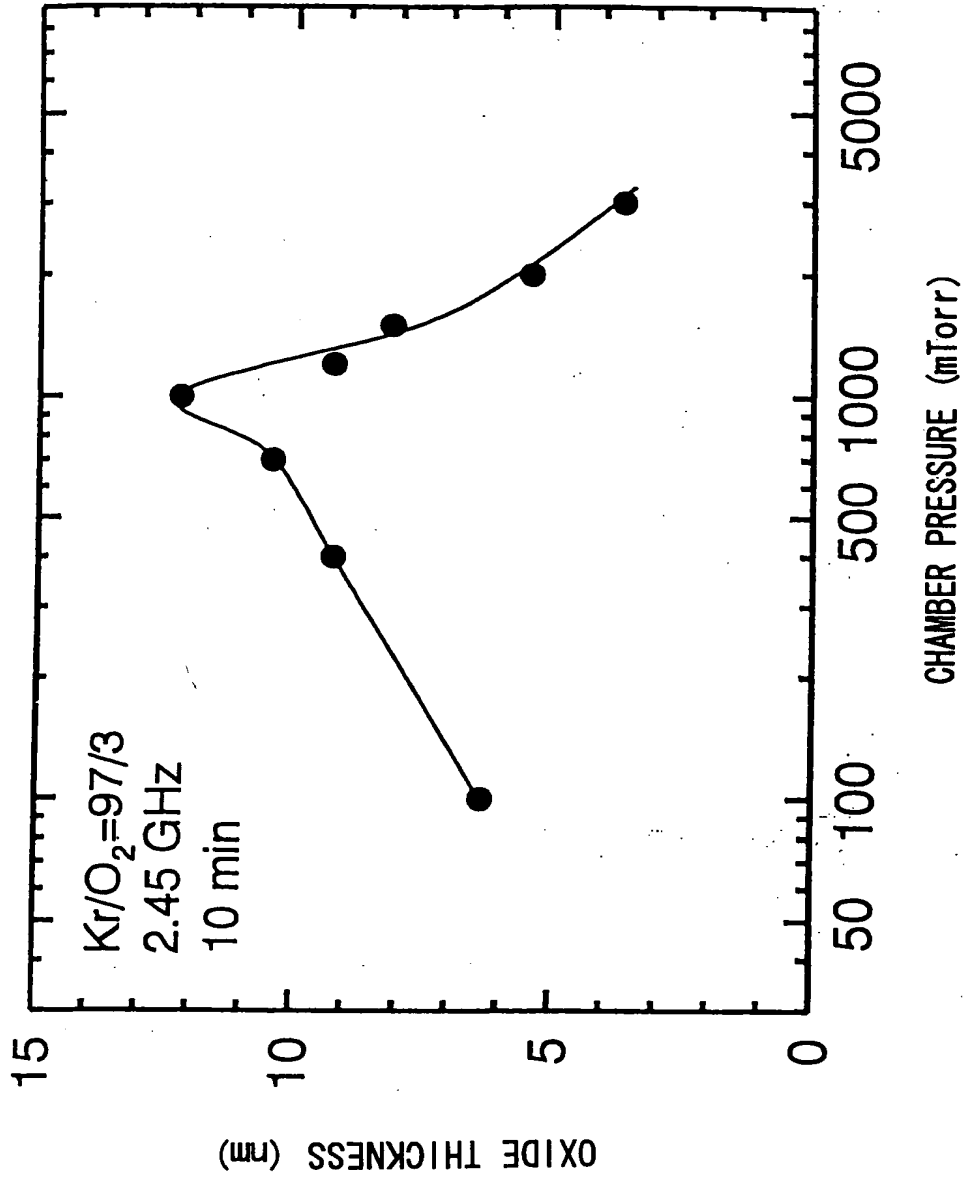


FIG. 4

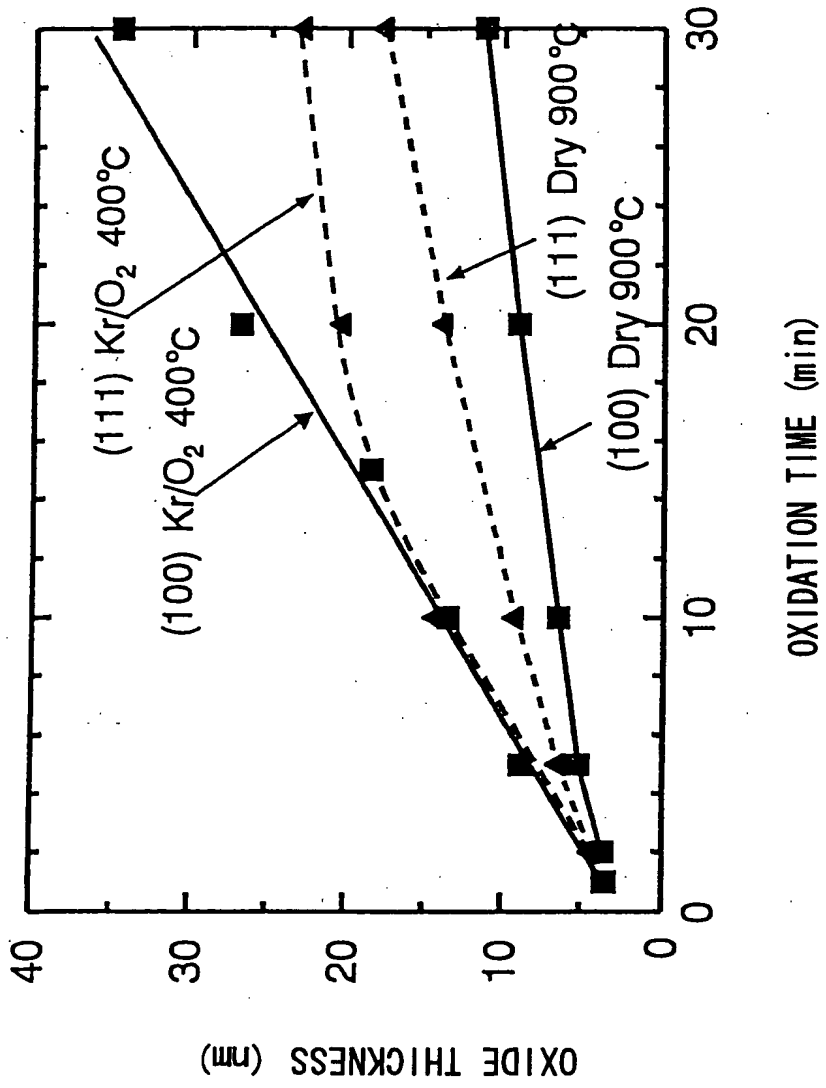


FIG. 5

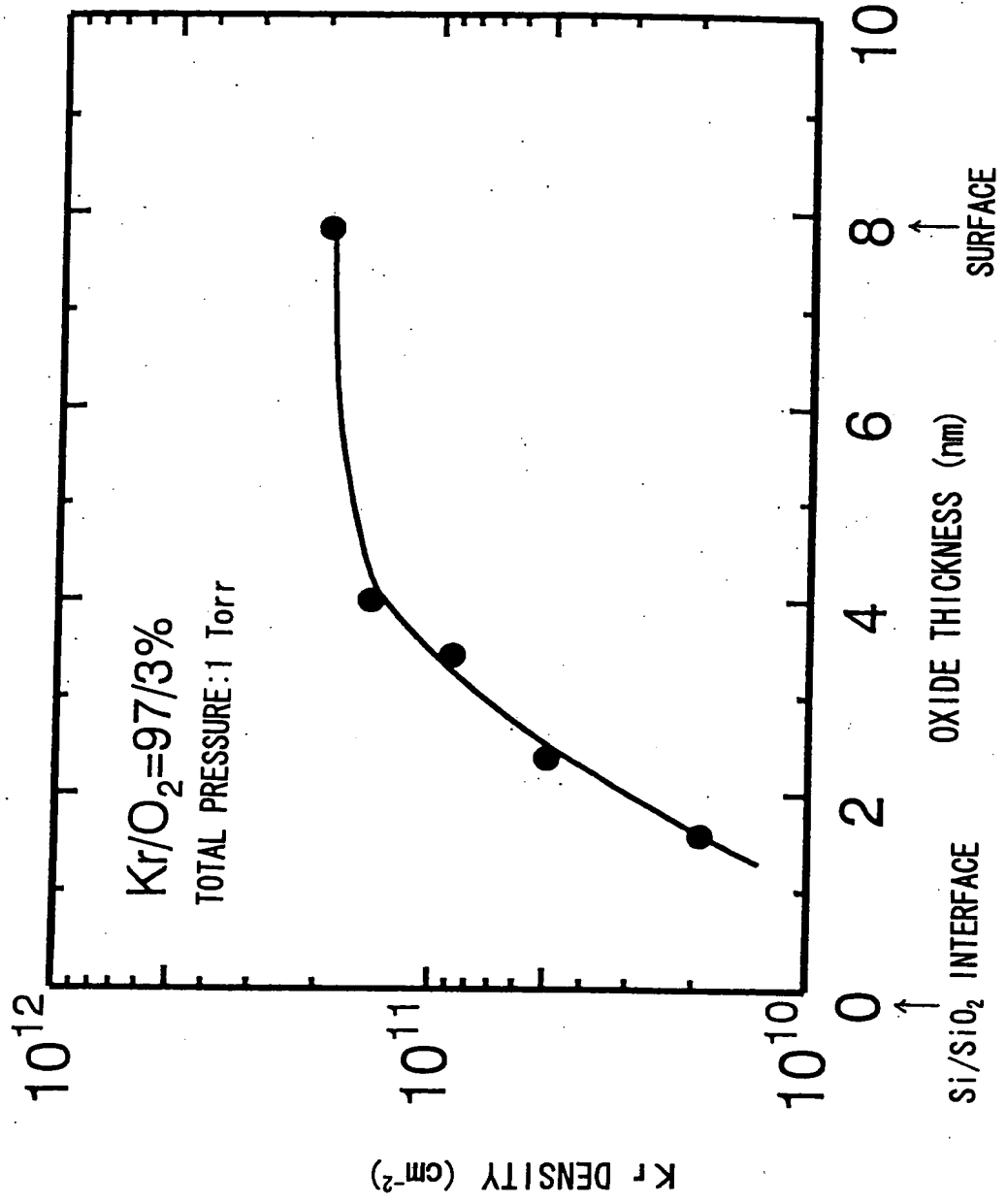


FIG. 6

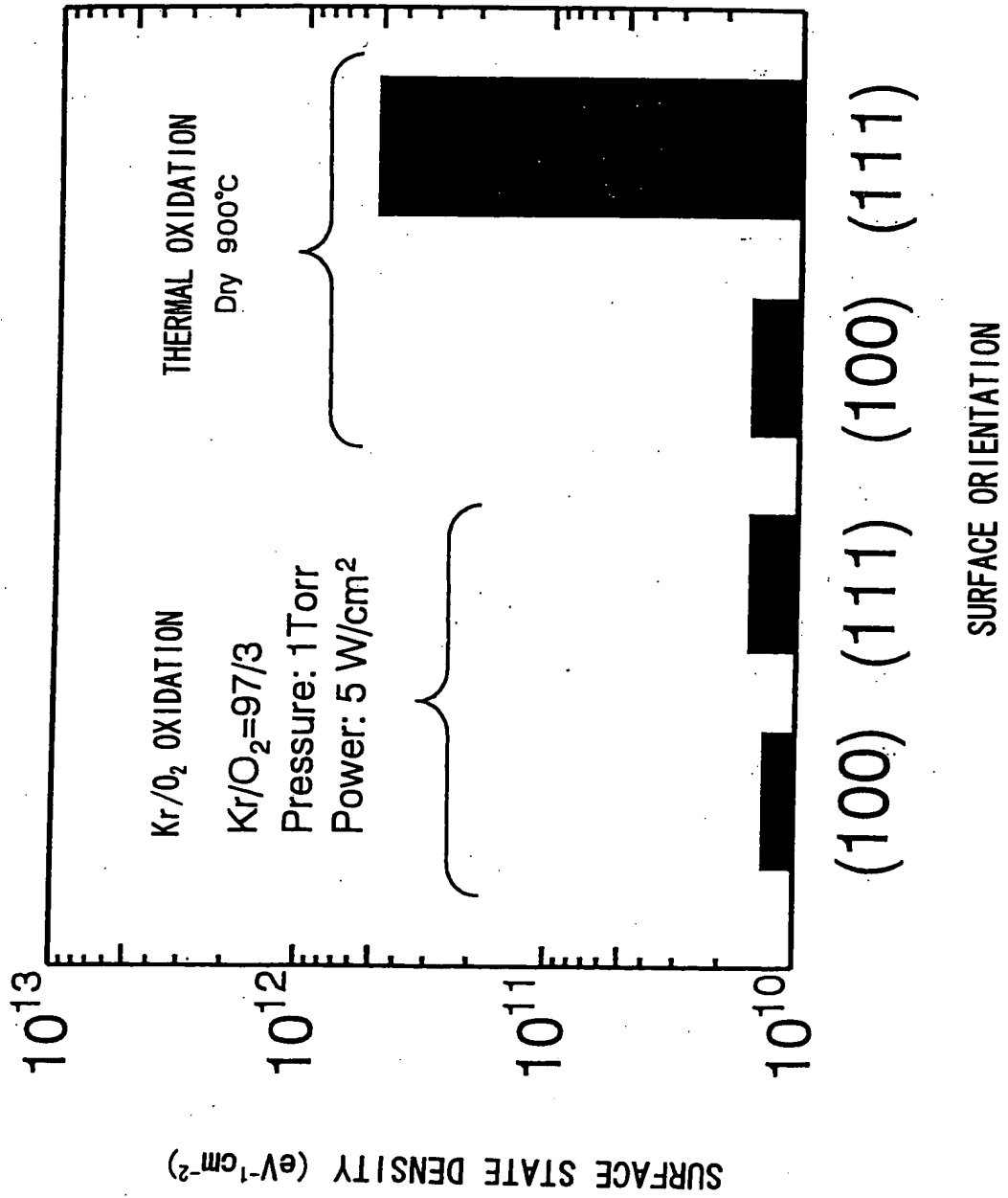


FIG. 7

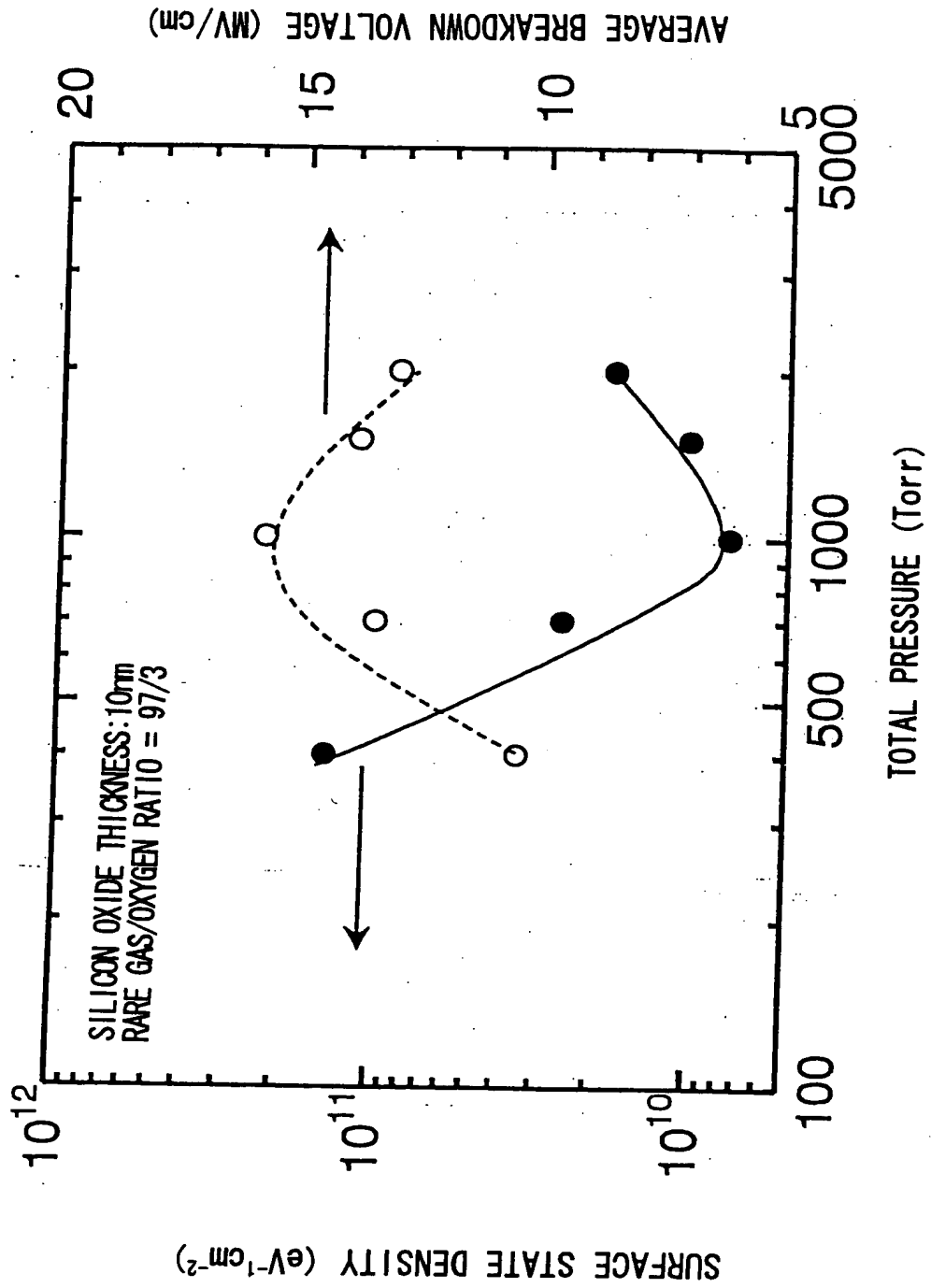




FIG. 8A

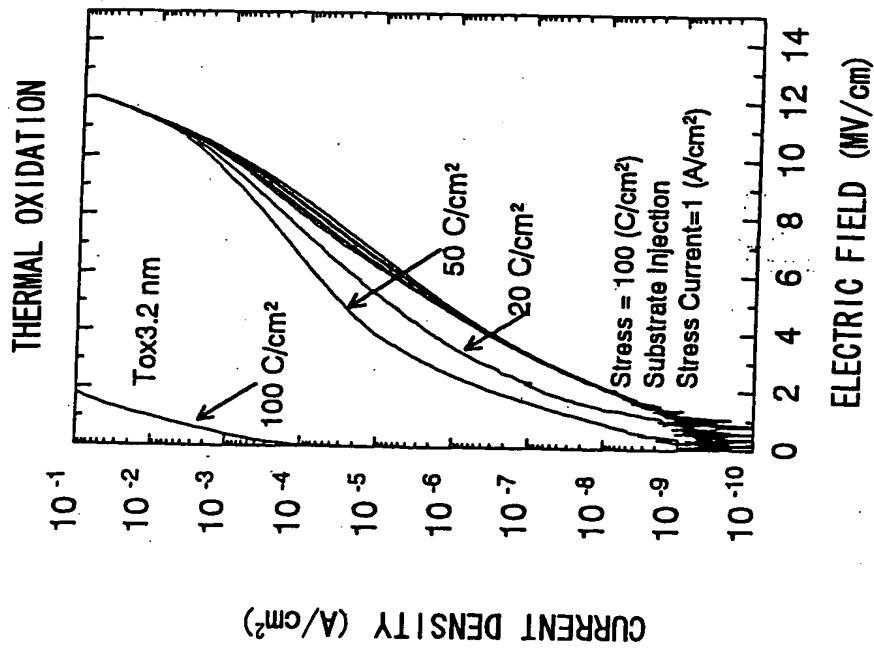


FIG. 8B

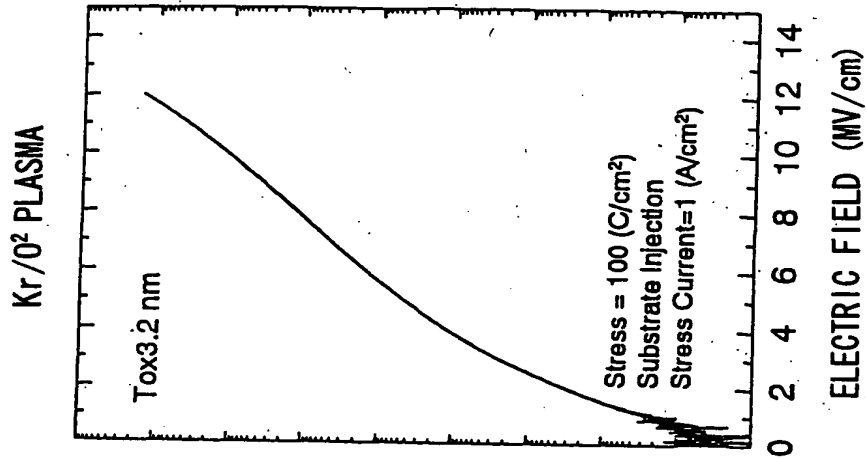


FIG. 9

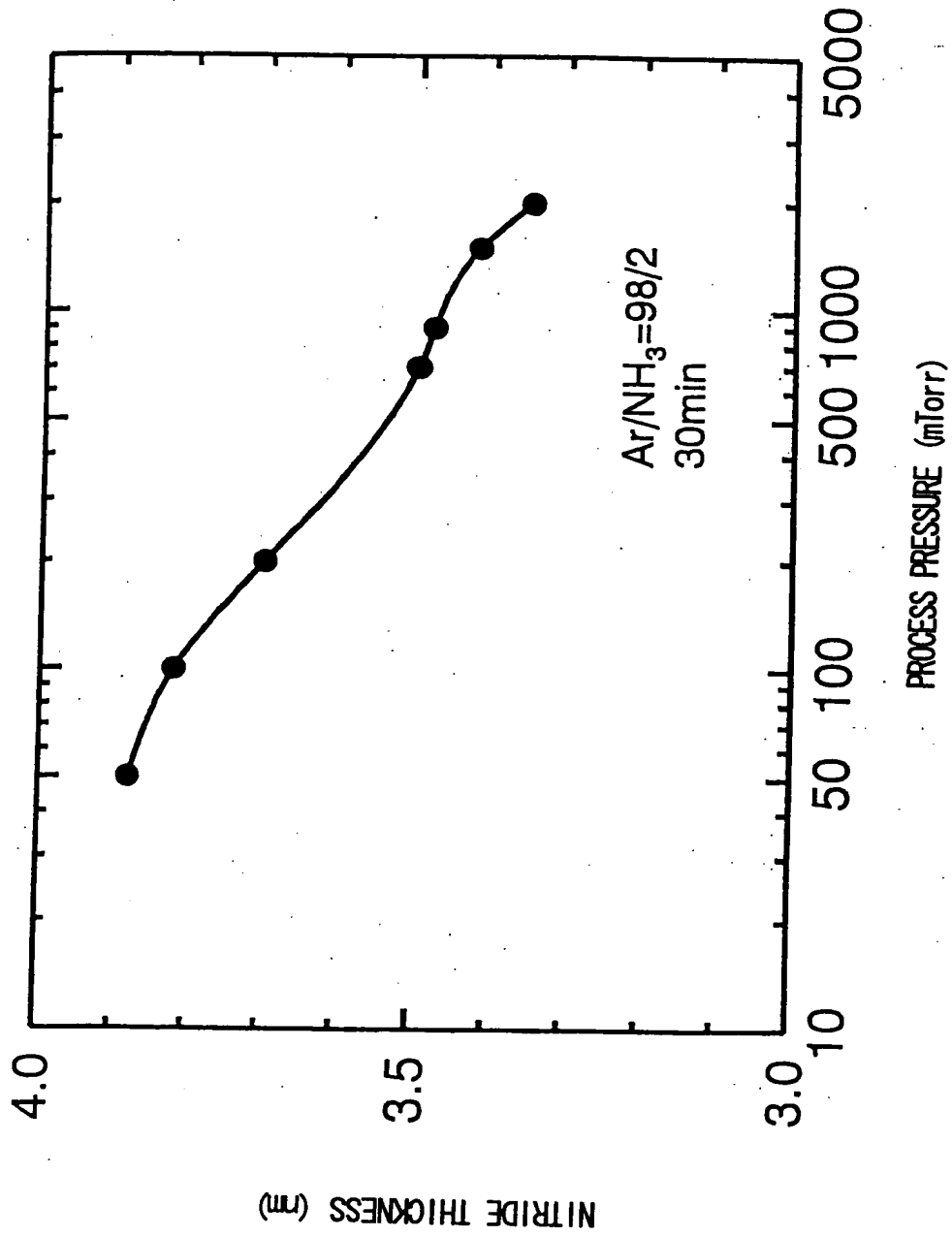


FIG. 10

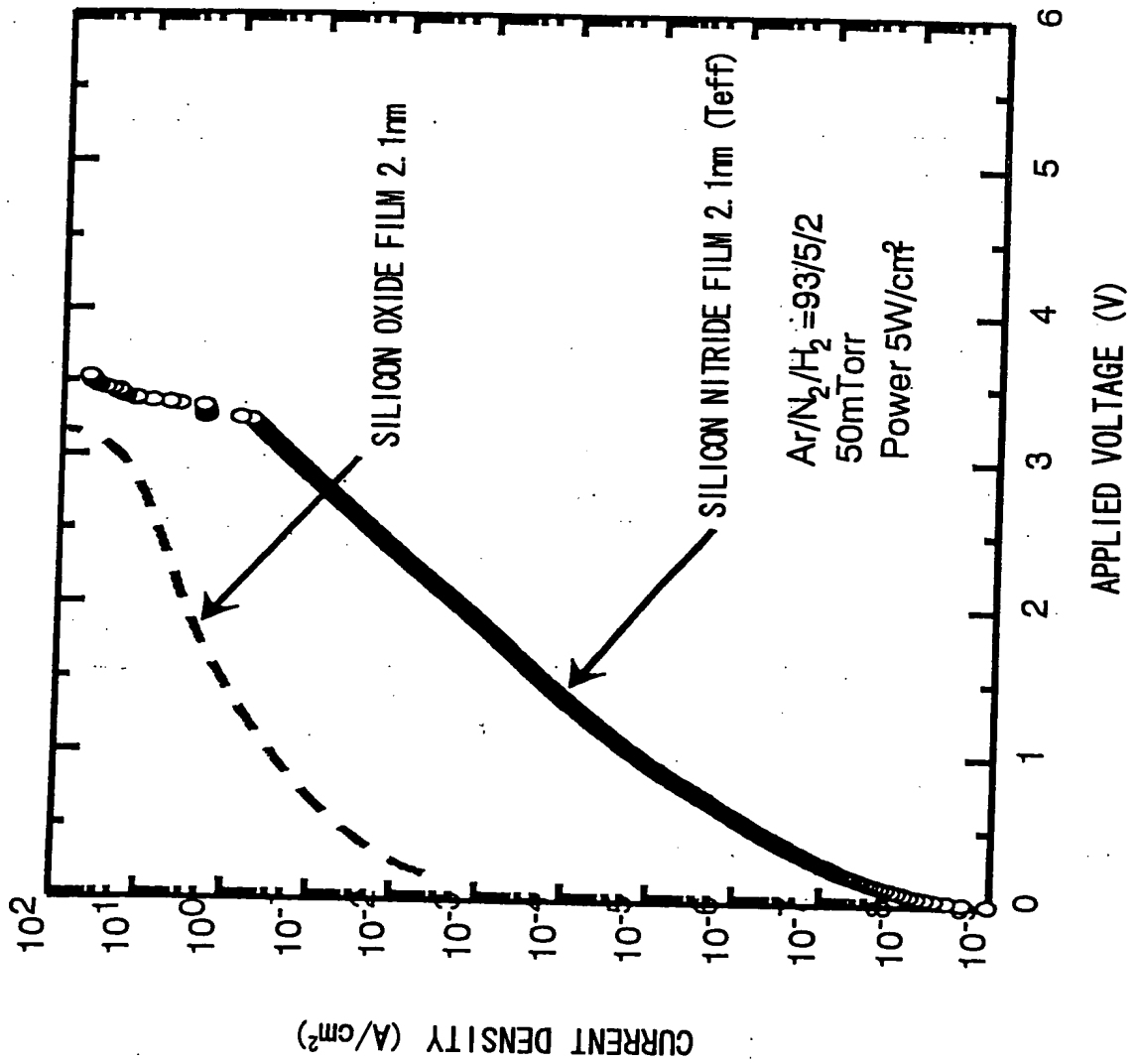


FIG. 11A

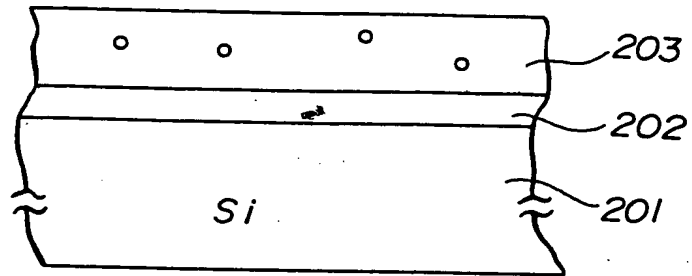
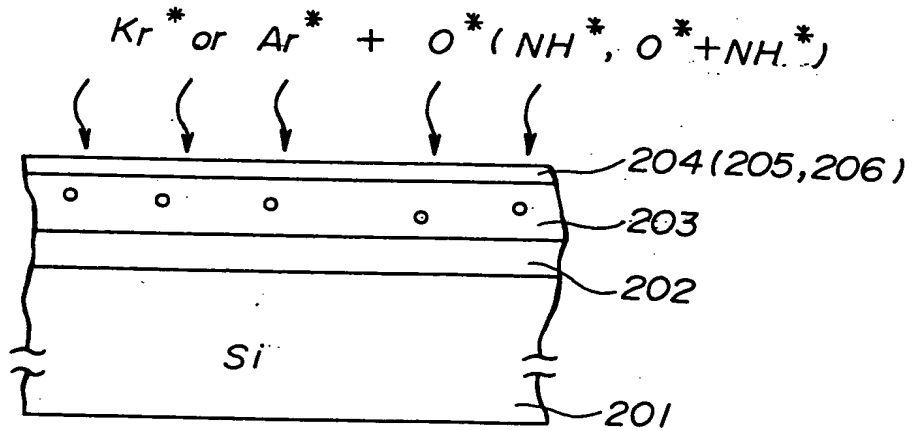


FIG. 11B



- 204:  $\text{SiO}_2 \leftarrow \text{O}^*$
- 205:  $\text{Si}_3\text{N}_4 \leftarrow \text{NH}^*$
- 206:  $\text{SiON} \leftarrow \text{O}^* + \text{NH}^*$

FIG.12

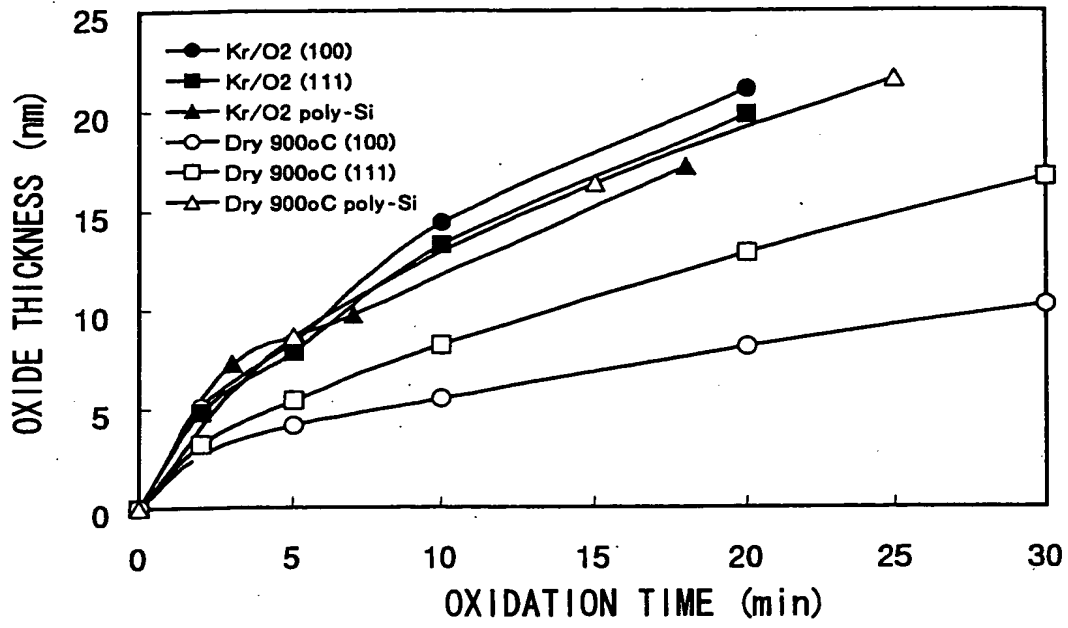


FIG.13A



FIG.13B

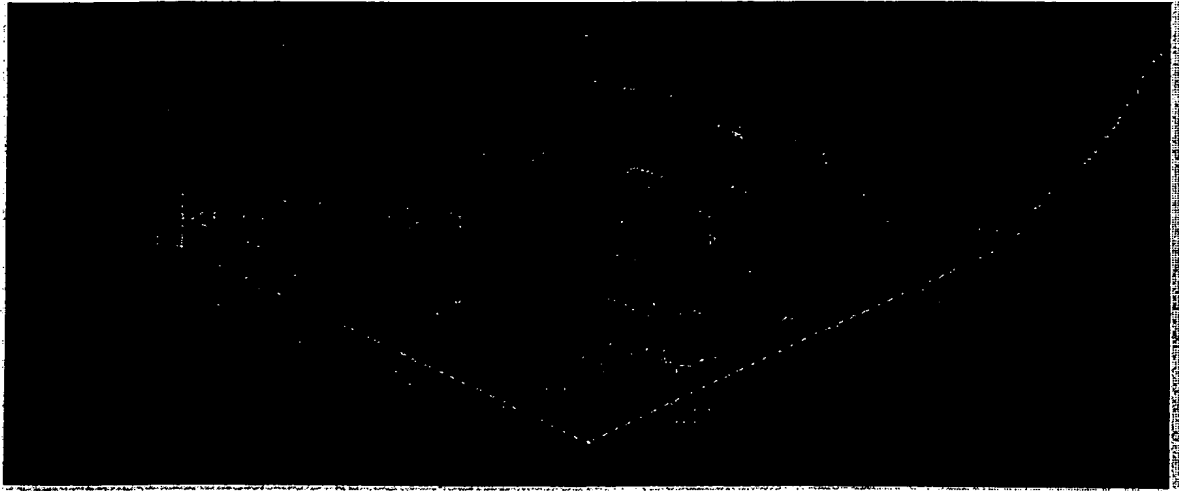


FIG.13C

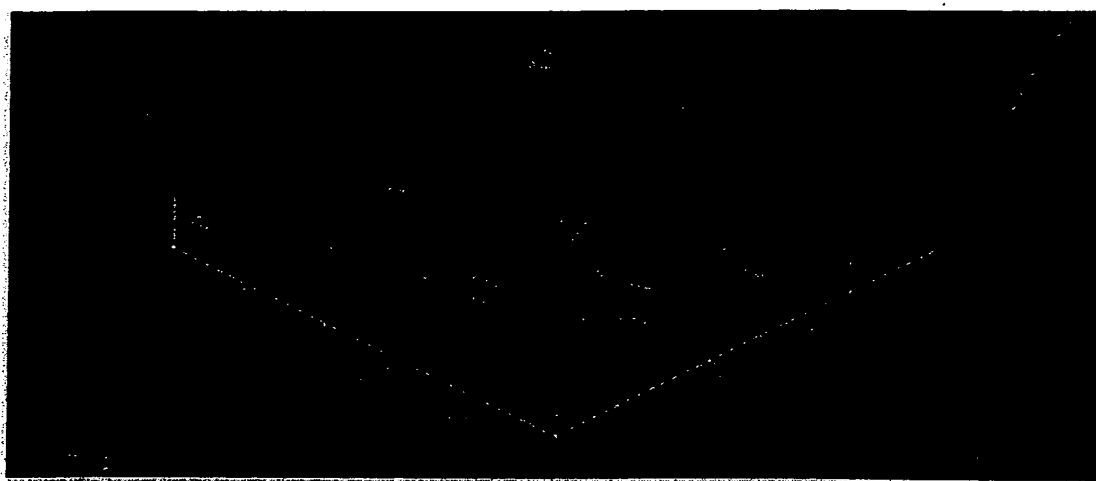




FIG.14A

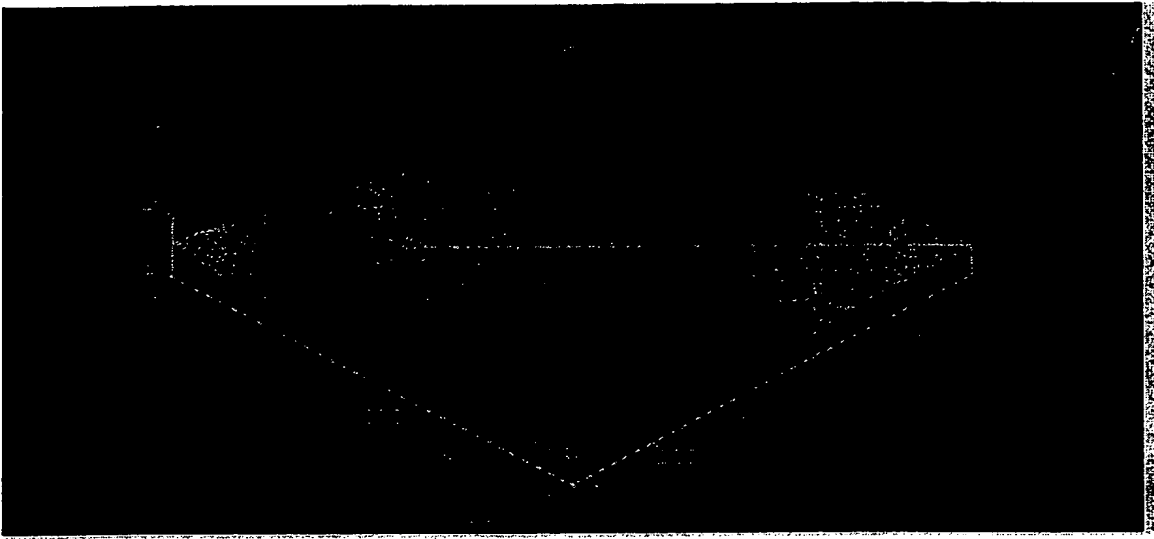
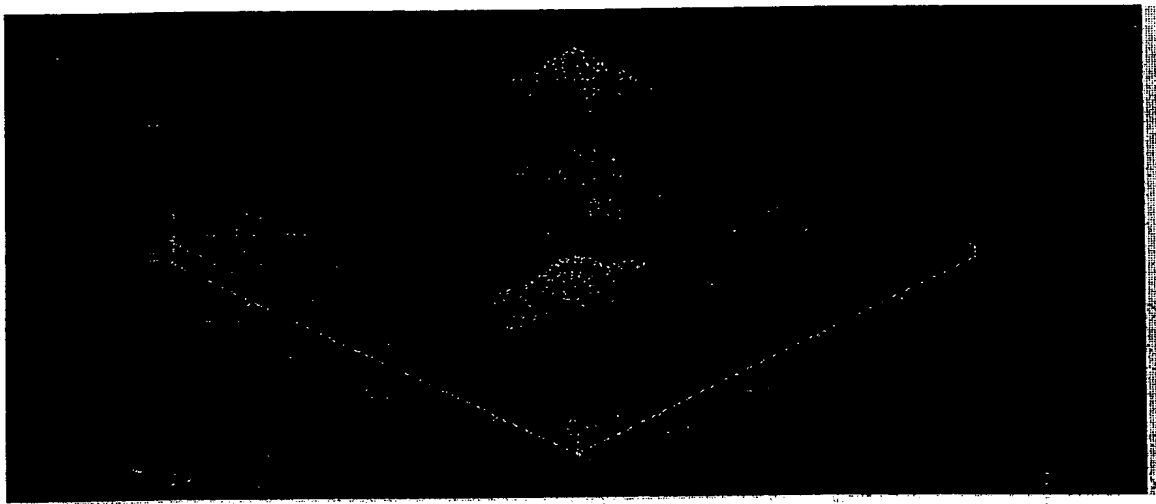
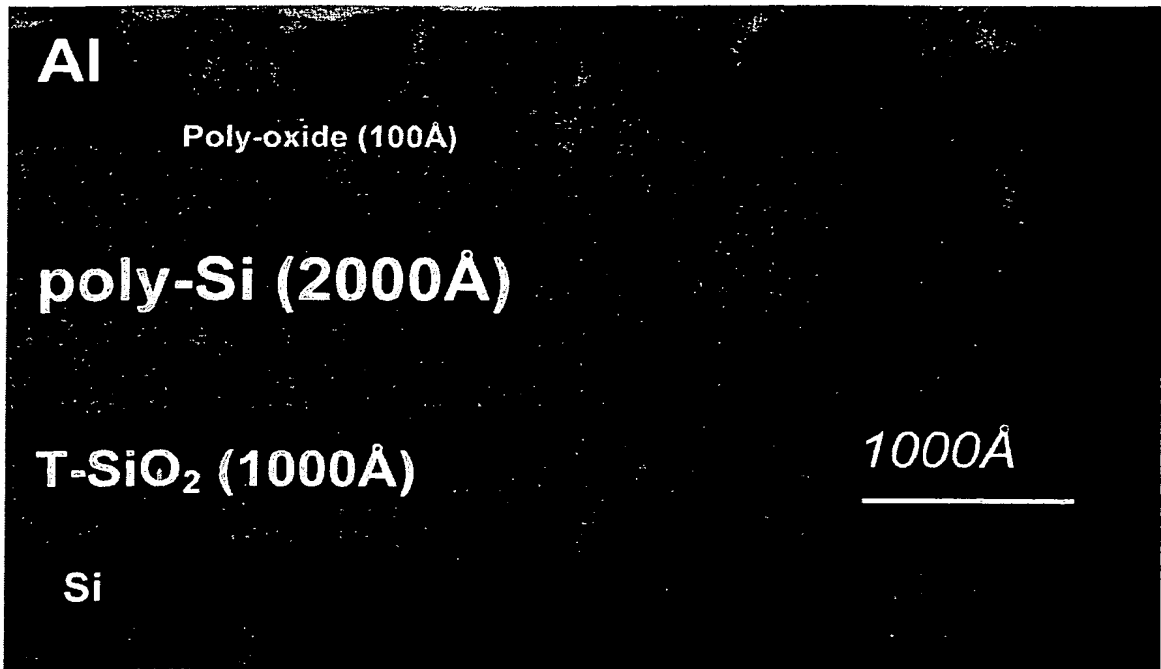


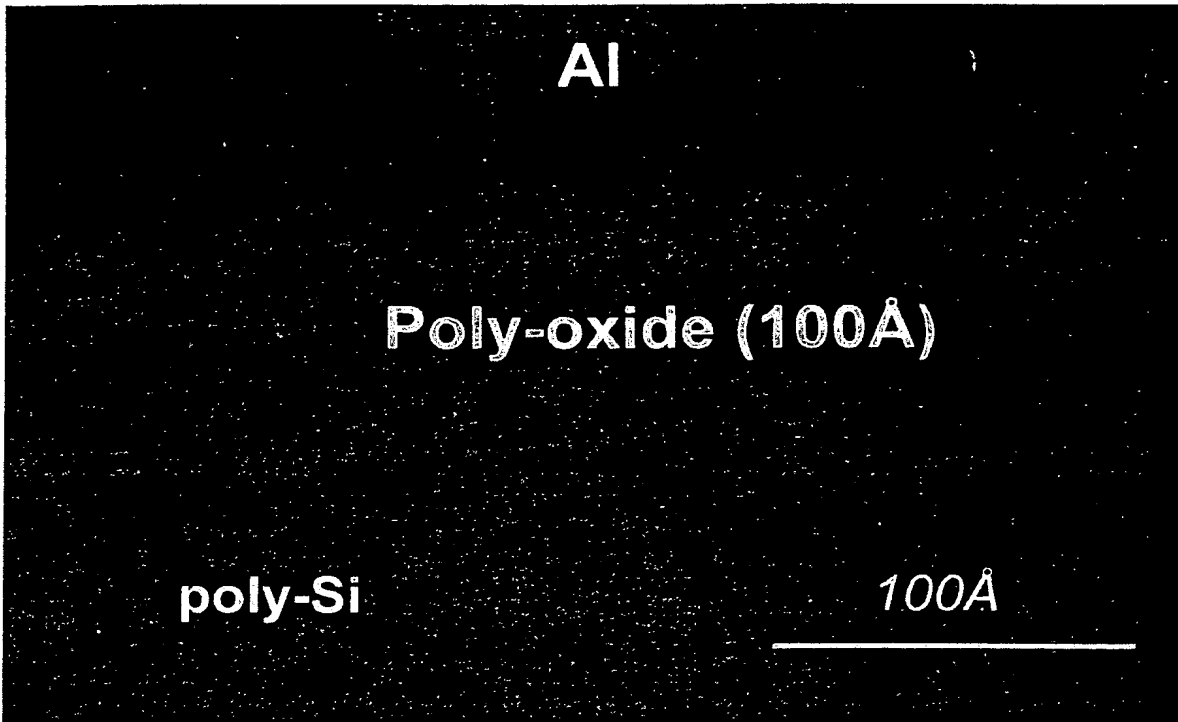
FIG.14B



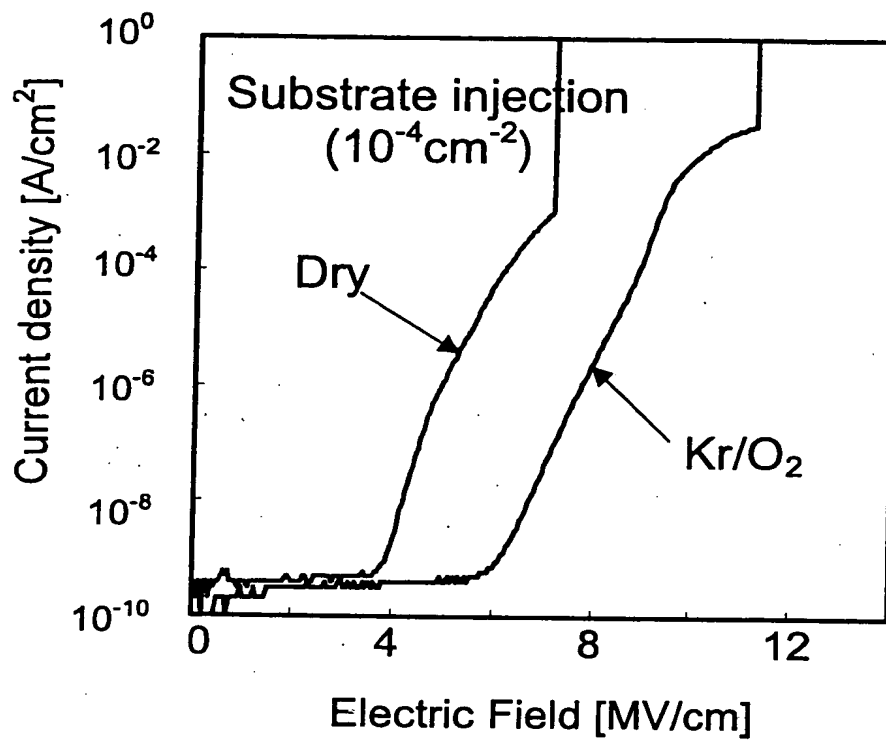
# FIG.15A



**FIG.15B**



# FIG.16



# FIG.17

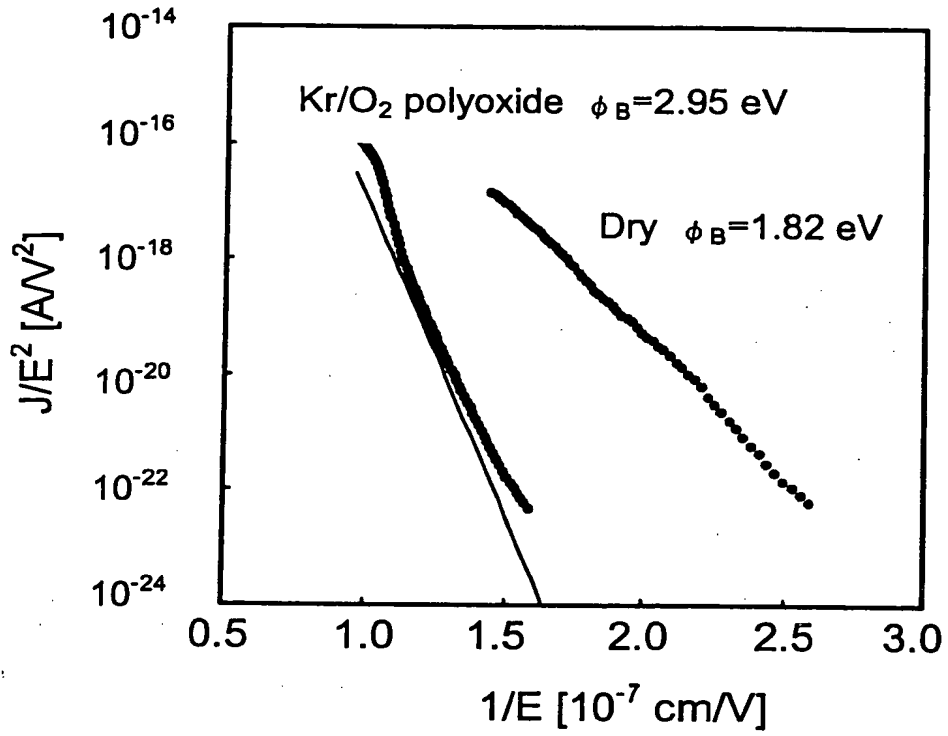


FIG. 18

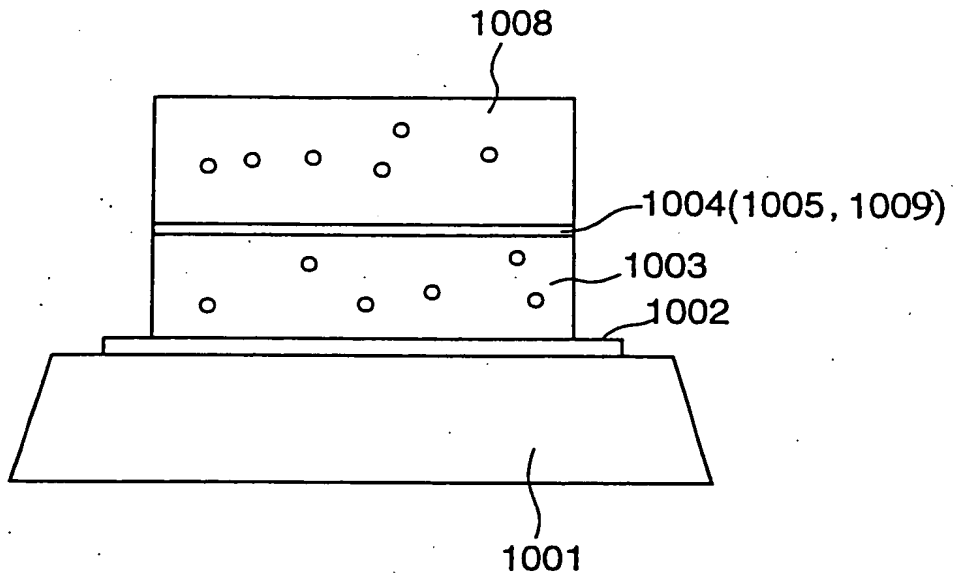


FIG. 19 1000

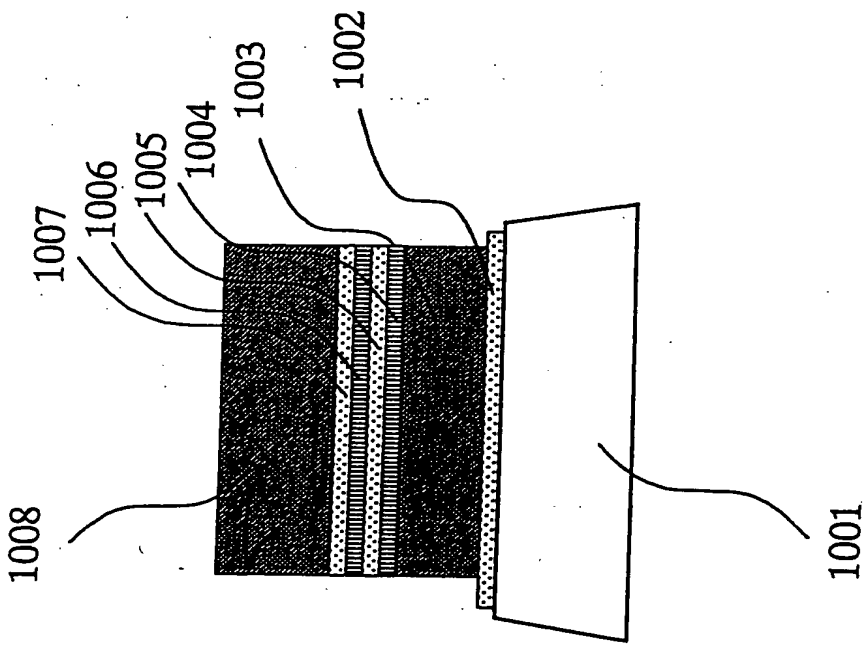




FIG. 20

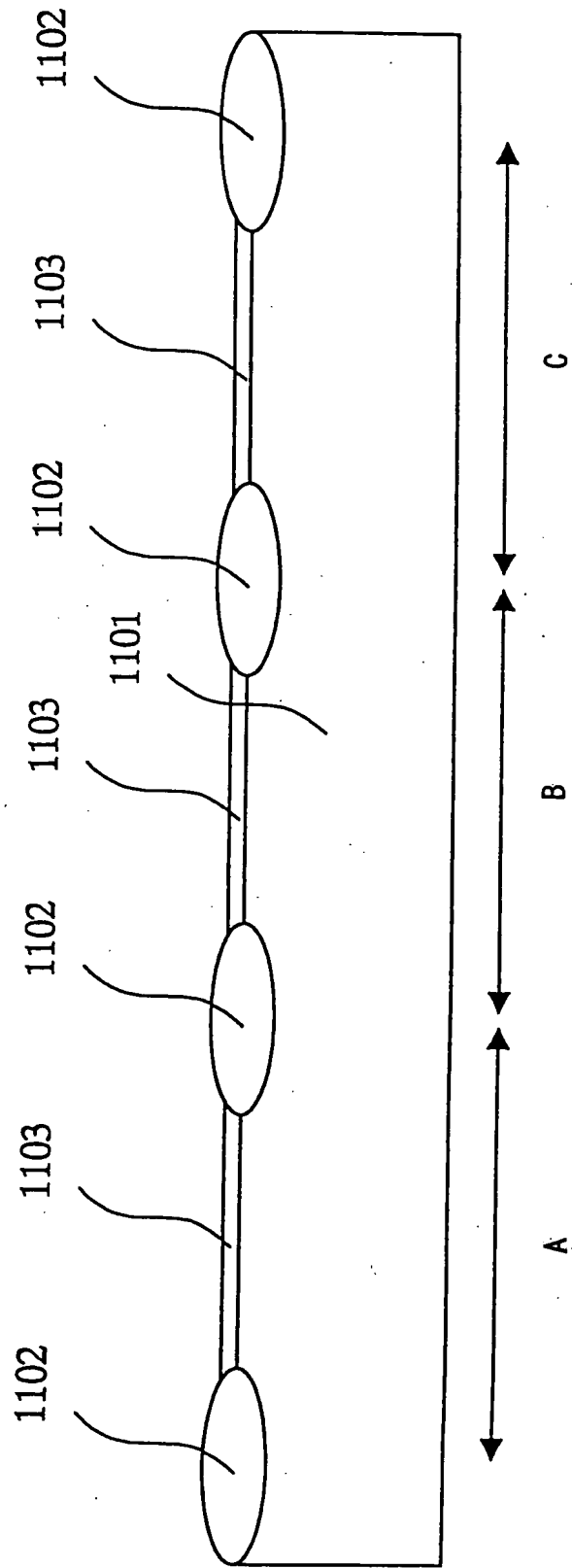


FIG. 21

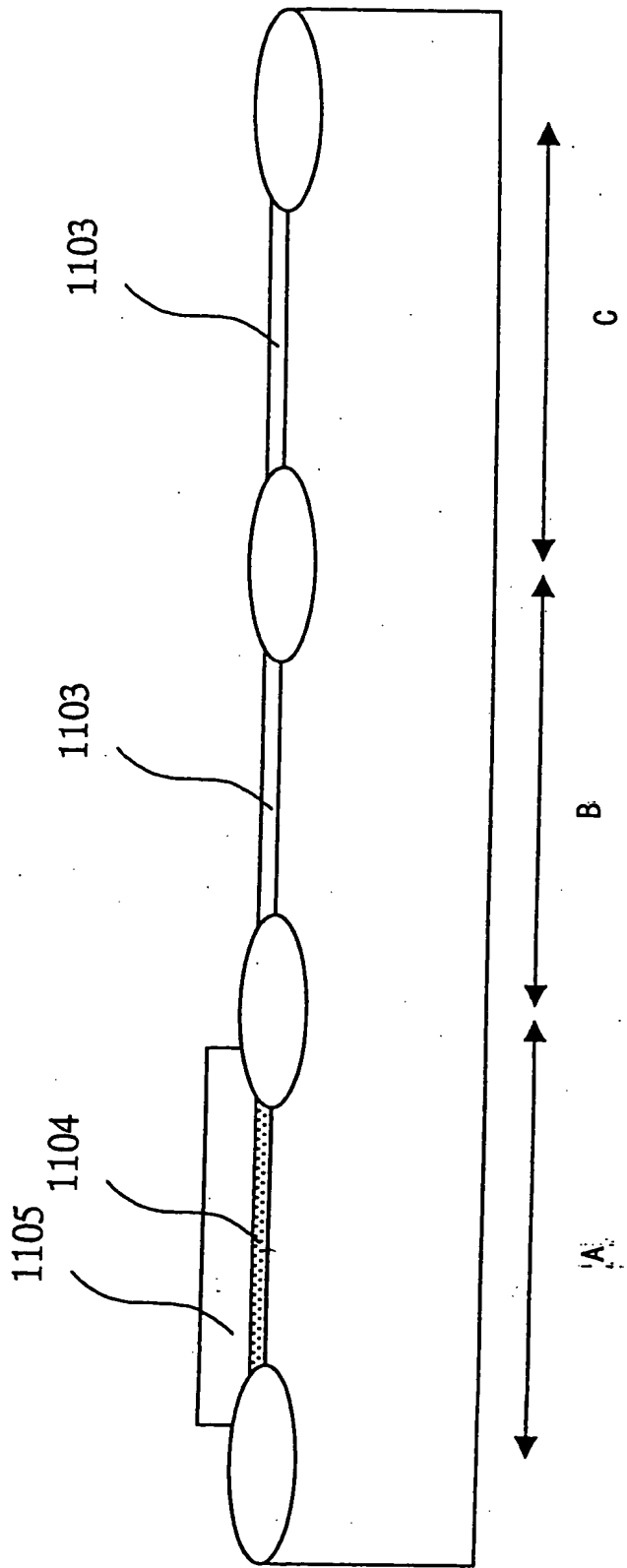


FIG. 22

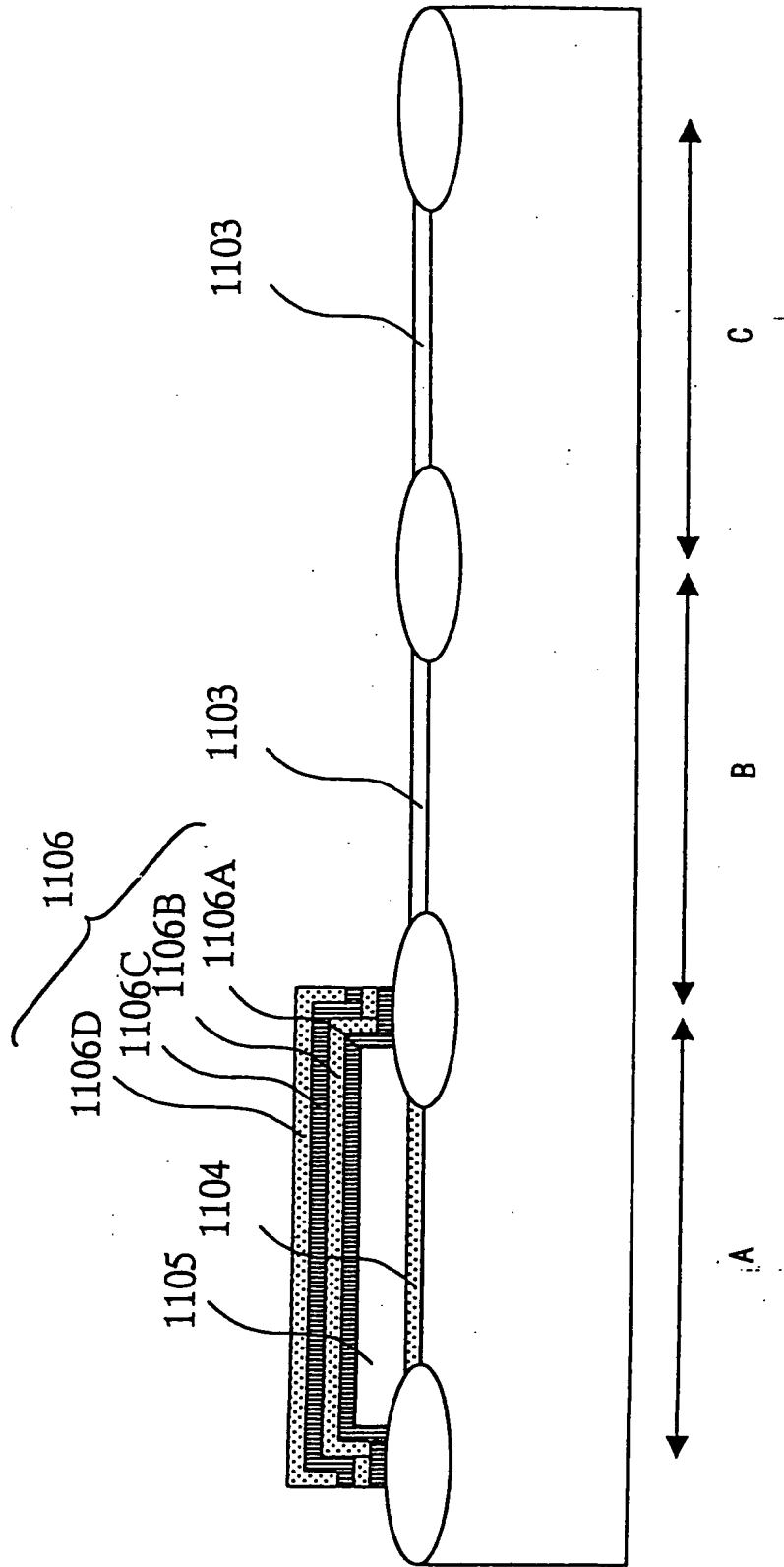


FIG. 23

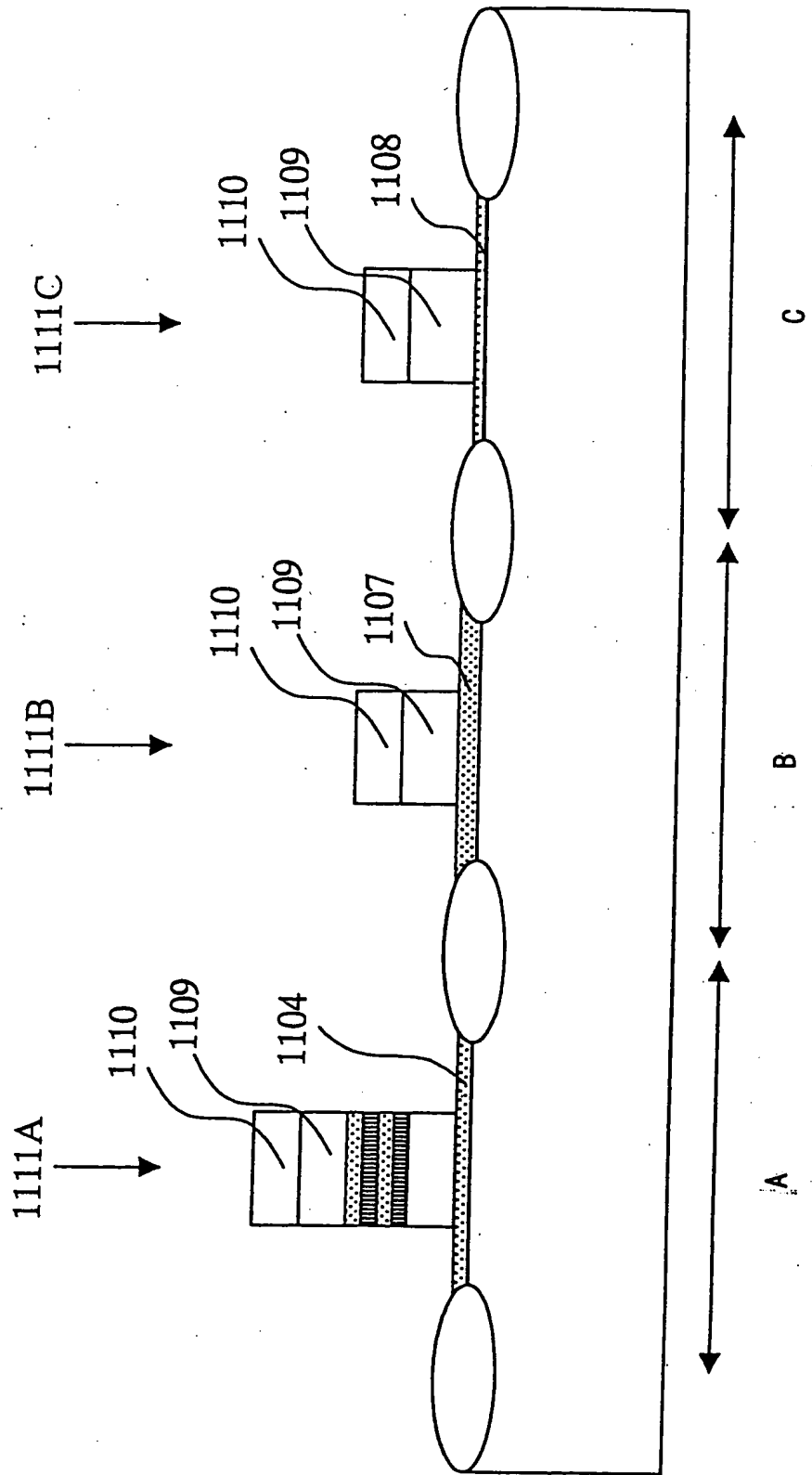


FIG. 24

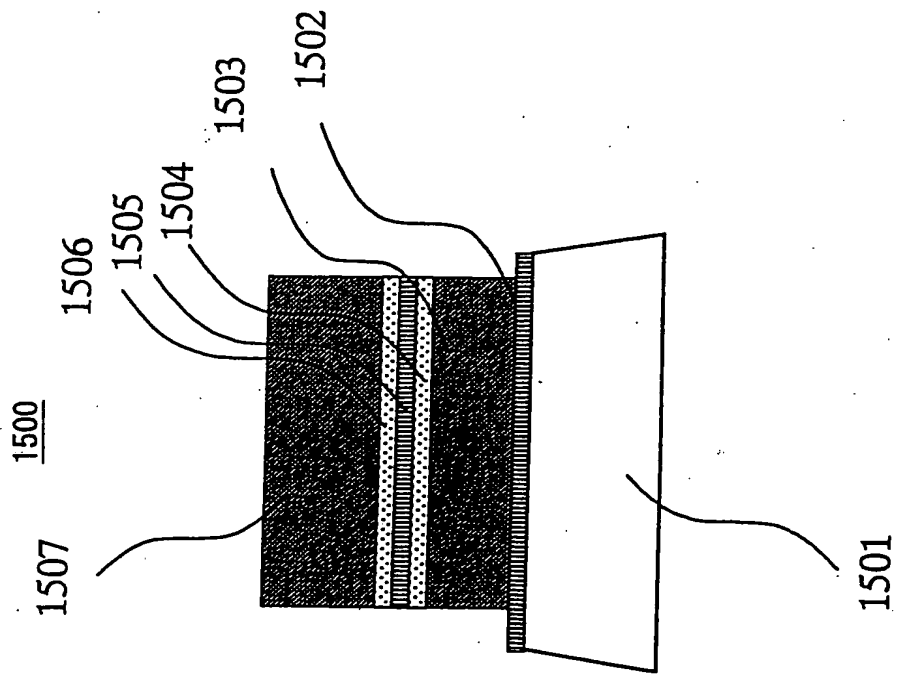


FIG. 25

